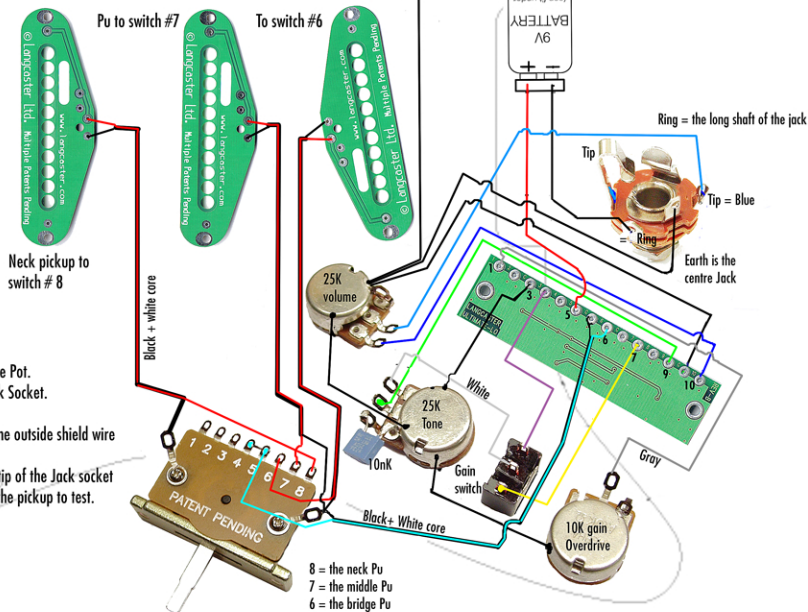




Check the tip and ring are making the correct contacts.

Use the 2 stronger springs supplied



1. Blue # 10 going to the Volume Pot.
2. Black earth wire ( C ) from the board going to back Volume Pot.
3. Black wire from the battery is going to the ring of the jack Socket.
4. Red #5 is going to the Batt clip +
5. Shielded wire # 6 to the pickups selector switch 4-5 and the outside shield wire to the earth lug on the switch.
6. Light Blue wire from the Middle of the Volume pot to the tip of the Jack socket
7. Connect the battery, plug the cord in the jack and tap on the pickup to test.

8 = the neck Pu  
7 = the middle Pu  
6 = the bridge Pu